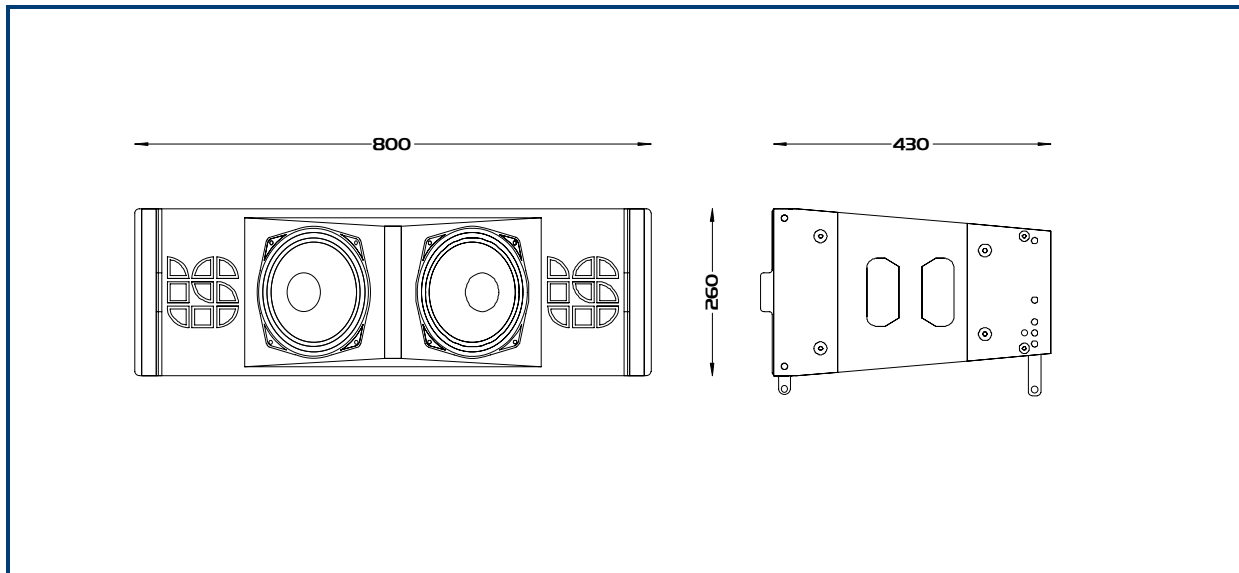




Ethos VA Nd is a compact vertically arraying front of house PA system suited to a wide range of applications. A minimum array is composed of three boxes, with more typical configurations being composed of six to eighteen boxes. Horizontal coverage is 120 degrees, with vertical coverage defined by the array angles. Each box has a front hinge point and a choice of back angles, 0°, 1.25°, 2.5°, 5° & 10°. Back angle selection can define both vertical coverage and the throw of the system, making Ethos VA Nd equally at home in a theatre or on an outside festival. Ethos VA Nd can be used free standing for vocal reproduction, but is more typically combined with the Ethos Nd315 bass cabinet, which can be either flown above the Ethos VA Nd, or used as the basis of a ground stack. When additional low end support is required the ground stacking Ethos Nd218 can be added to the system. For further system details, including transit dollies and flightcasing please refer to the Ethos VA Nd manual. Compact, versatile and equally at home in fixed install or touring, Ethos VA Nd, array for the real world.



Frequency Response:	<ul style="list-style-type: none"> 80Hz- 20 KHz (With assisted alignment.)
Components:	<ul style="list-style-type: none"> Bass/mid: 2 off 8" neodymium cone drivers. HF: 2 off 1" exit neodymium compression driver.
Power handling:	<ul style="list-style-type: none"> Mid/Bass: 500w - HF:160W
Sensitivity (1):	<ul style="list-style-type: none"> Mid/Bass: 103dB - HF: 115dB
Directivity:	<ul style="list-style-type: none"> 120° x 10° above 1kHz
Impedance:	<ul style="list-style-type: none"> 8 Ohm
Construction:	<ul style="list-style-type: none"> 15mm Birch plywood
Finish:	<ul style="list-style-type: none"> Water based textured black paint
Connections:	<ul style="list-style-type: none"> 2 x Neutrik NL4 connectors 1+/1- Mid/bass 2+/2- HF.
Dimensions:	<ul style="list-style-type: none"> 800mm (W) x 260mm (H-FR) x 190mm (H-B) x 430mm (D)
Packaged Dimensions:	<ul style="list-style-type: none"> 930mm (W) x 390mm (H) x 470 (D)
Weight:	<ul style="list-style-type: none"> 28Kg

Cabinet	Handles	Tophat	M20 plate	Castors	Bracket Pt.	Inserts/Fly Points
Ethos VA Nd	2 off	No	No	No	No	Full integrated system

Note: (1) Sensitivity measured at 1 metre with 2.83V, using band limited pink noise.